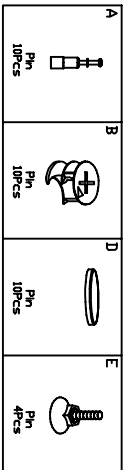
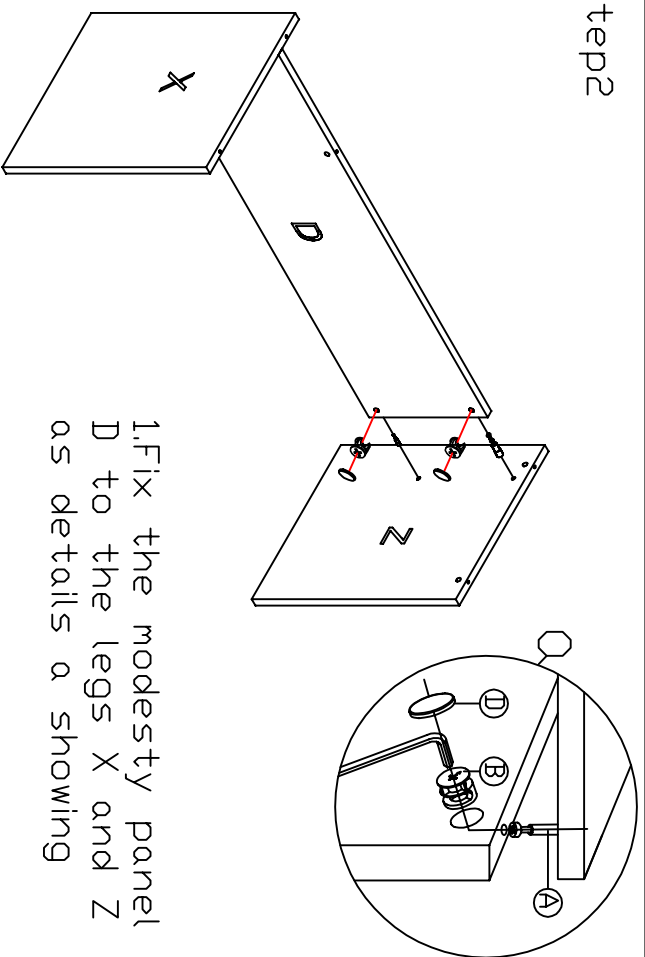


ASSEMBLY INSTRUCTIONS

DK157

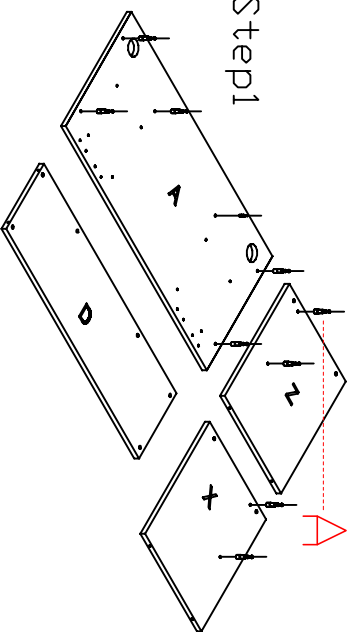


Step2



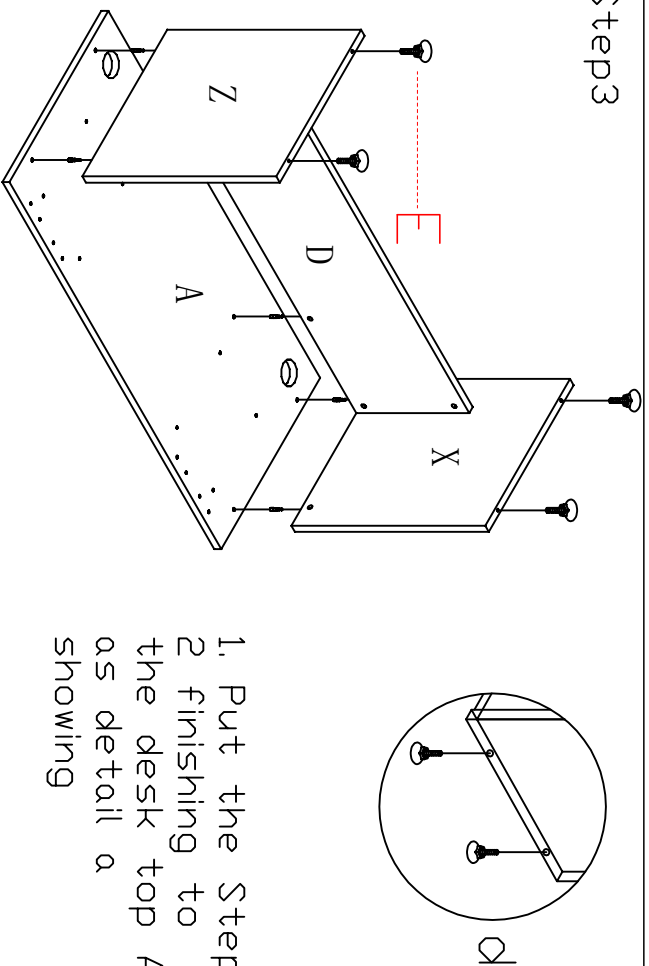
1. Fix the modesty panel D to the legs X and Z as details a showing

Step1



1. screw pin A to the boards

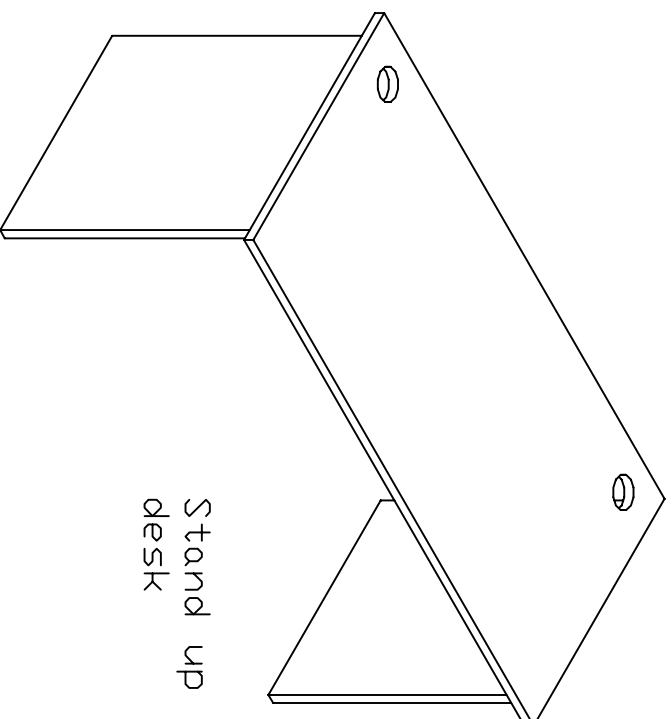
Step3



1. Put the Step 2 finishing to the desk top A as detail a showing

1. Screw adjustable feet D to legs X and Z

Step4



Stand up the desk