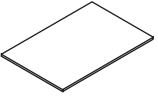
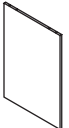
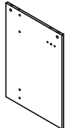
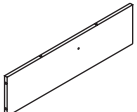
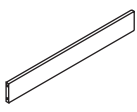
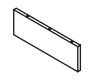

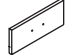
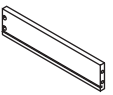
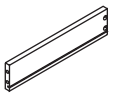
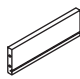
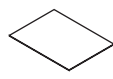









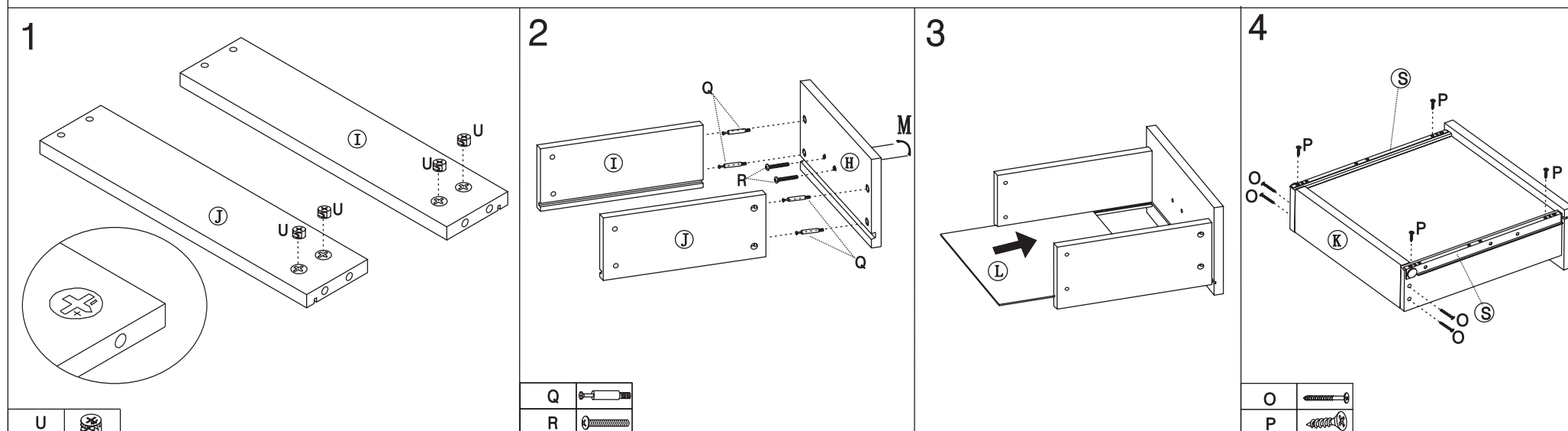
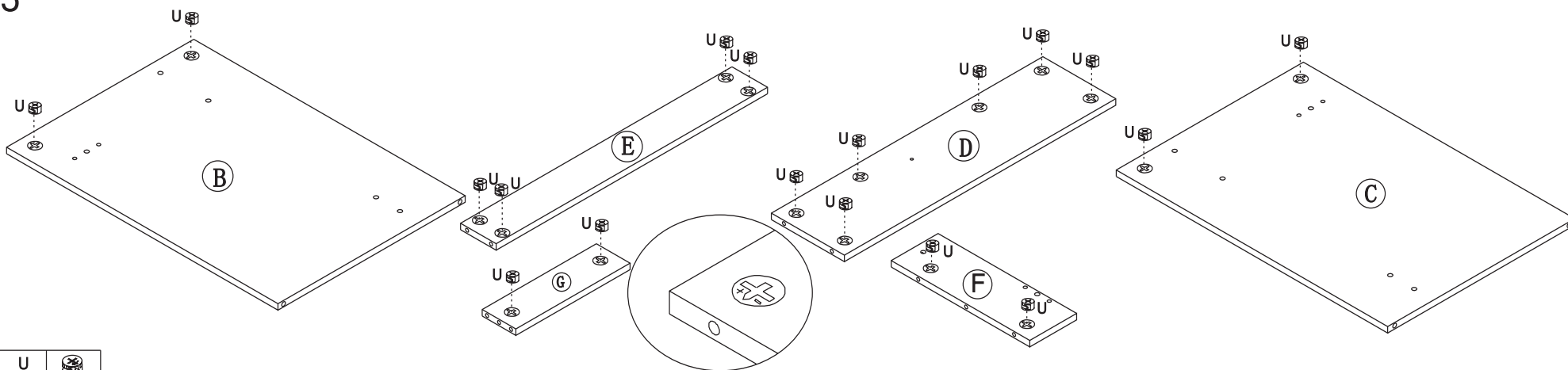


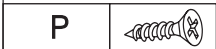
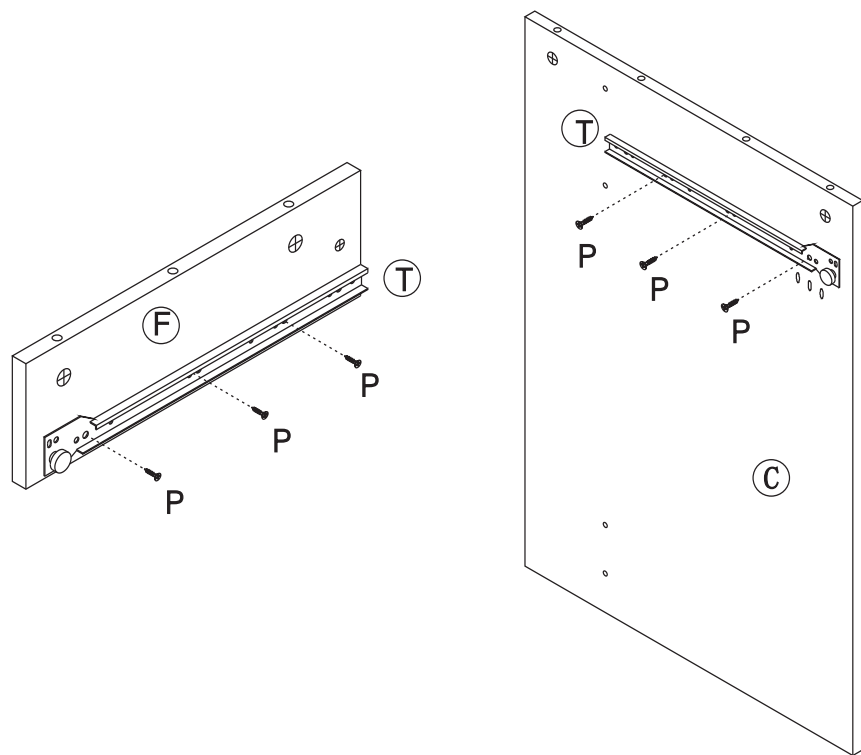
Ax1  800X540X15	Bx1  720X500X15	Cx1  720X500X15	Dx1  720X195X15	Ex1  720X95X15	Fx1  370X125X15
Gx1  305X90X15	Hx1  300X122X15	Ix1  350X80X15	Jx1  350X80X15	Kx1  249X80X15	Lx1  342X258X2.5
MX 1 	Nx9  φ 8X35	Ox5  ST5X45	Px10  ST3.5X14	Qx22  M6X40	Rx2  M4X18
Sx2 	Tx2 	Ux22 			



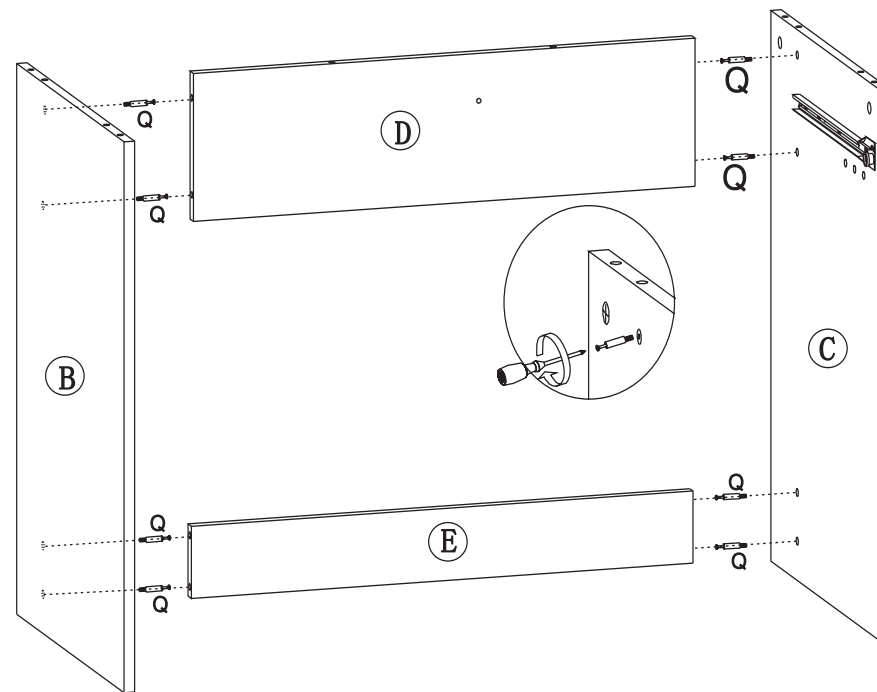
5



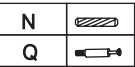
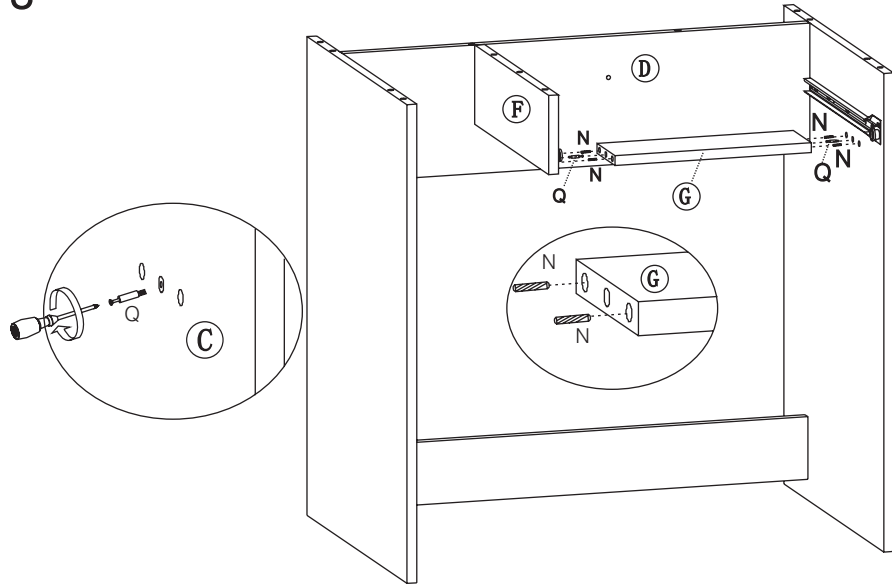
6



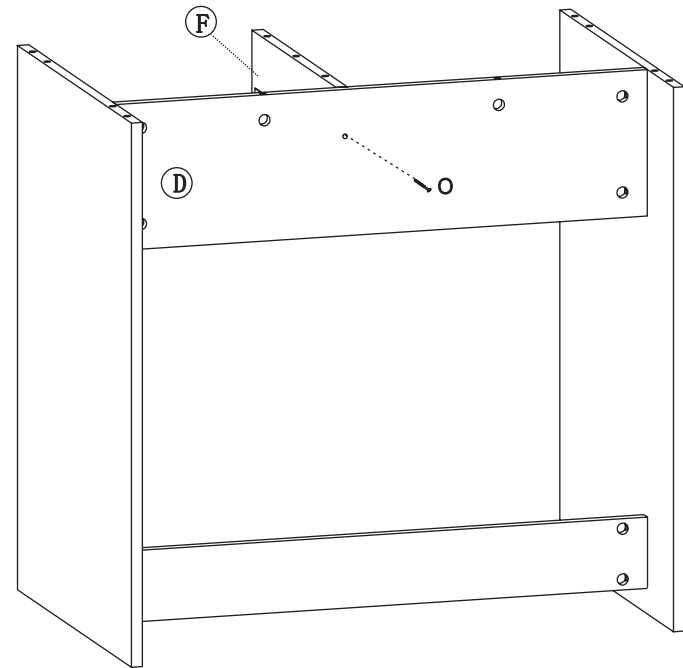
7



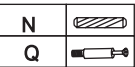
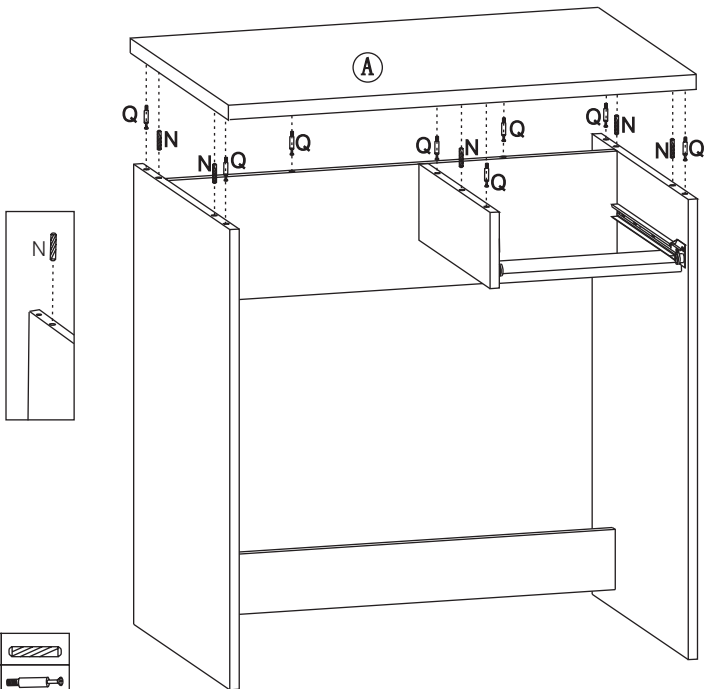
8



9



10



11

