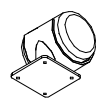

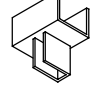

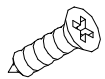
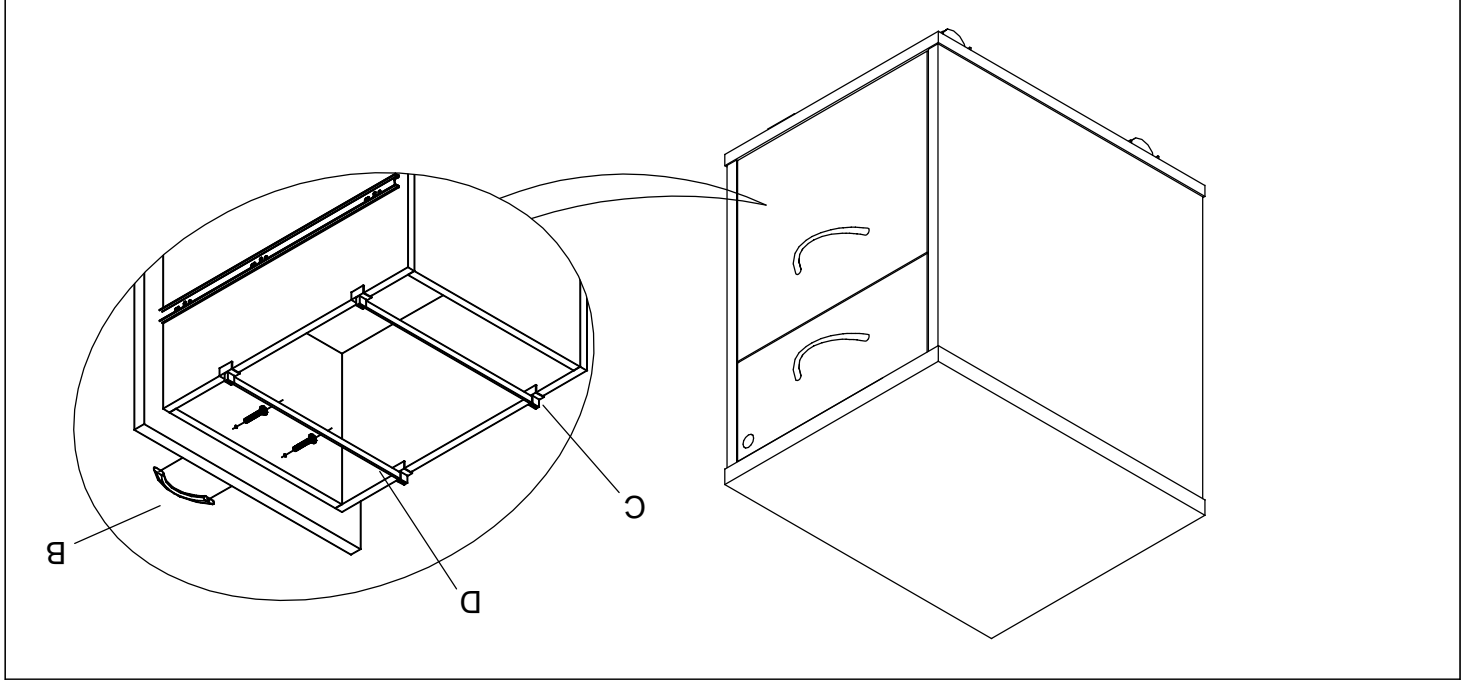
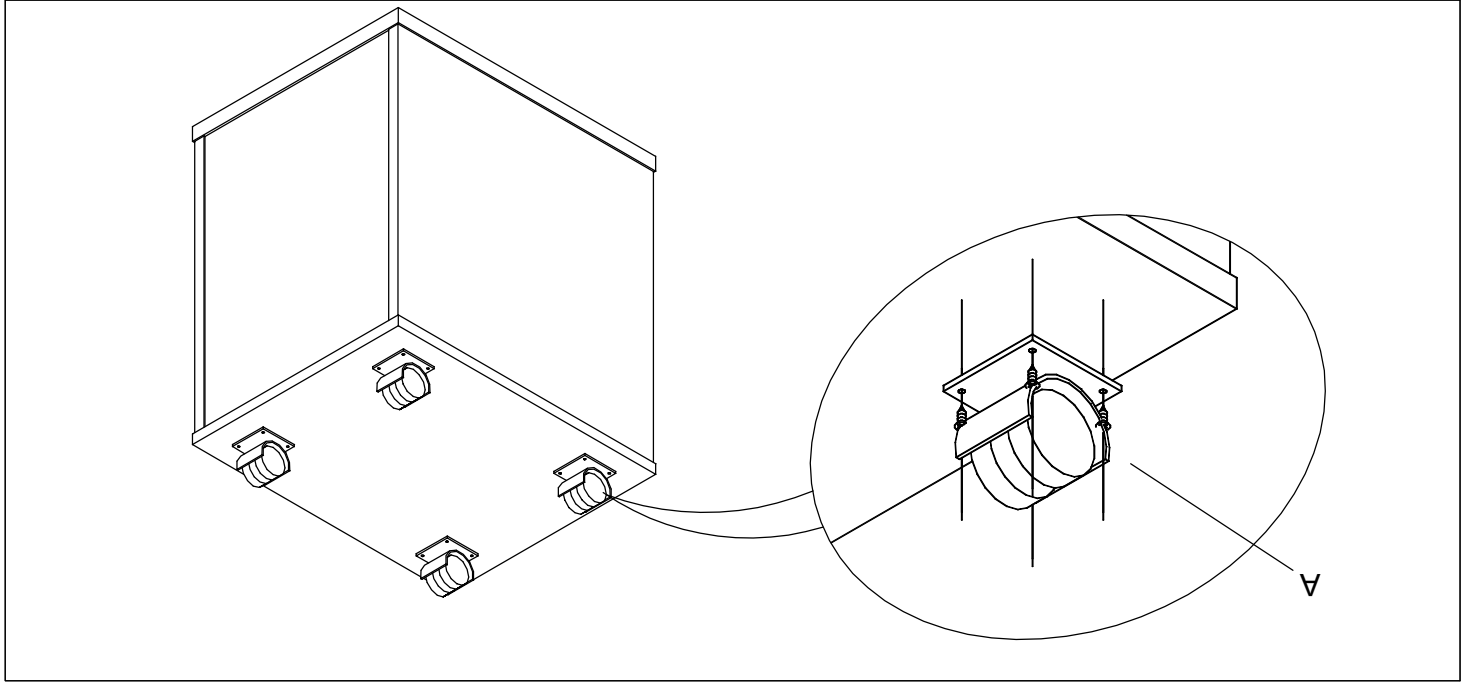


MODEL NO.:UDM438

Assembly Instructions

<p>A</p>  <p>Castors H65mm 4 Pcs</p>	<p>B</p>  <p>128 mm Handle X 2PCS</p>	<p>C</p>  <p>File Clip X 4 Pcs</p>	<p>D</p>  <p>Aluminum Bar X 2 Pcs</p>	<p>E</p>  <p>Screw #4*16 16 Pcs</p>
--	---	--	---	---



IMPORTANT NOTE:

- Place all laminated parts on a clean and smooth surface such as a rug or carpet to avoid the parts from being scratched.
- Remove all wrapping materials, including staples & packing straps before you start to assemble.
- Check to be sure that you have all parts and hardware.
- Don't tighten all screws/bolts until all completely assembled.
- Keep all hardware parts out of reach of children.
- It is recommended to require 2 persons to complete the assembly.