

(1)X1



(6)X4



(2)X1LX1R

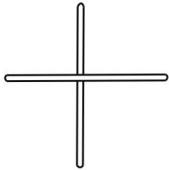


(7)X4



T2mm

(3)X1



(8)X4



T4mm

(4)X1



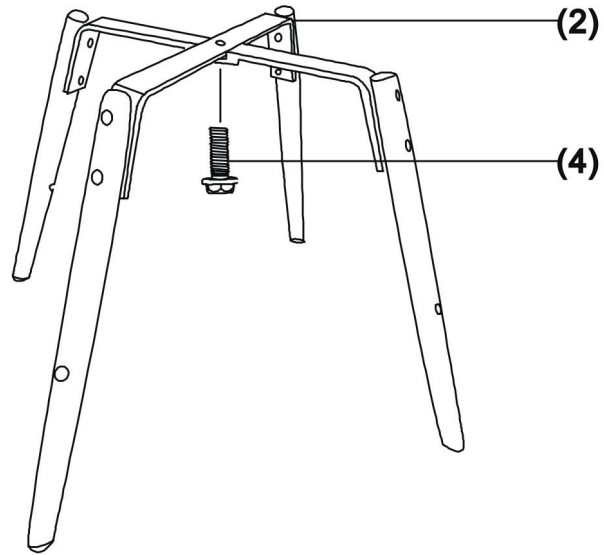
(9)X1



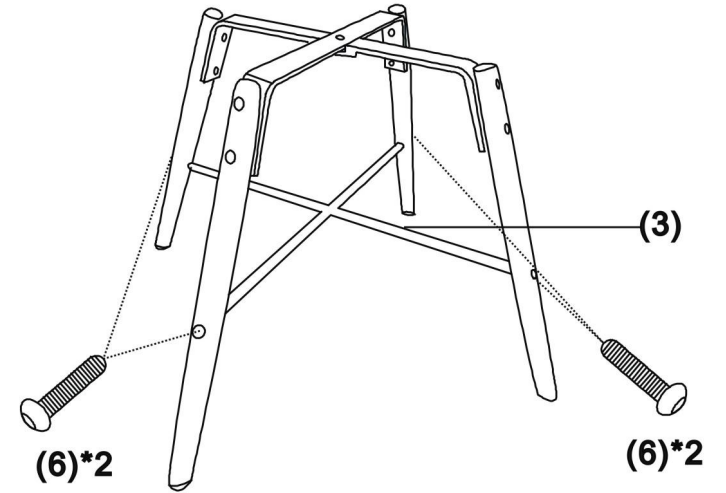
(5)X4



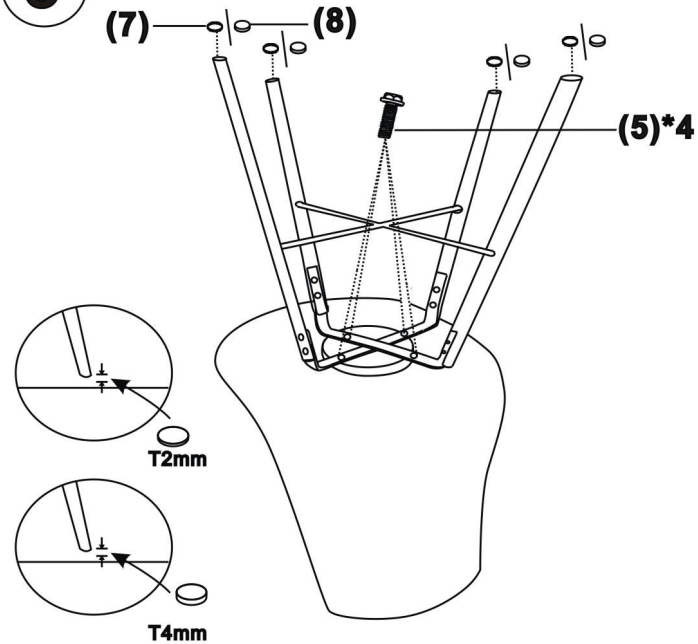
1



2



3



4

