



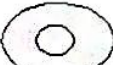



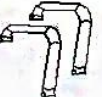


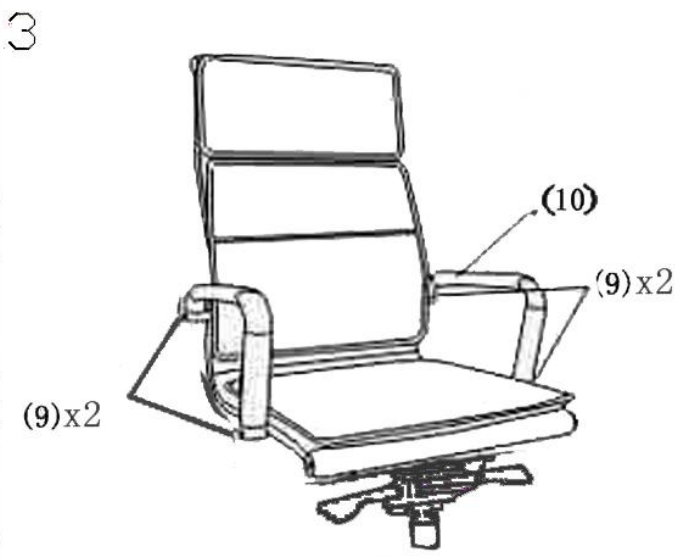
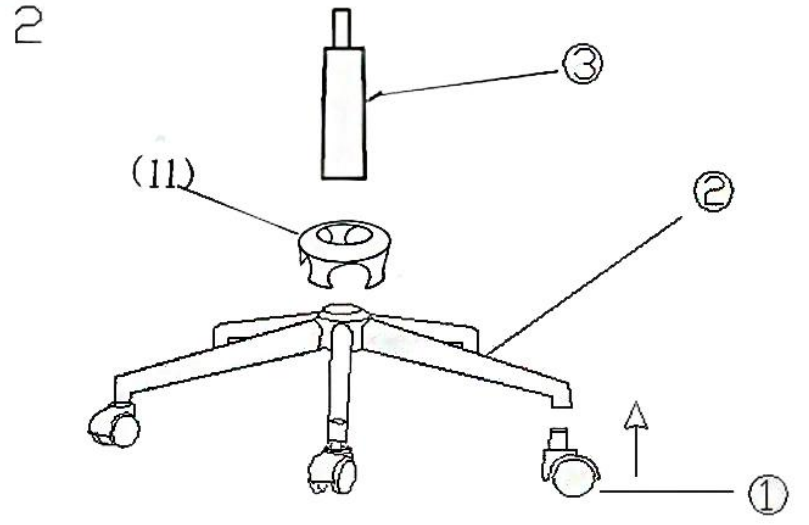
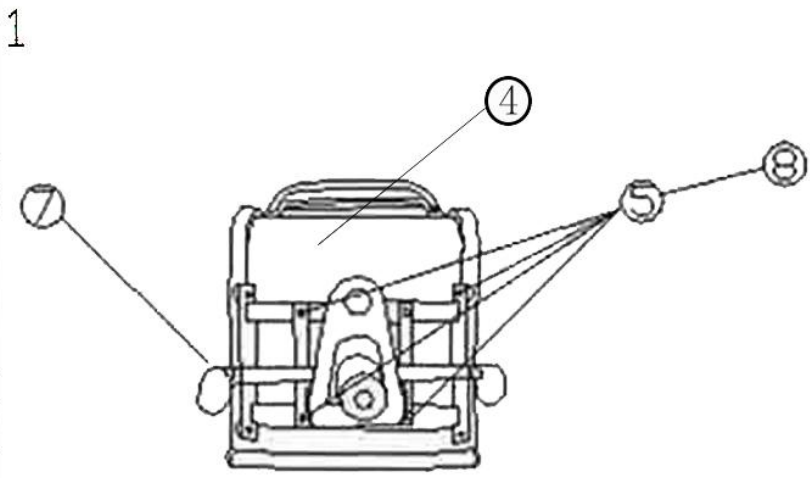


ASSEMBLY INSTRUCTION

① Caster	③ GASLIFT
	
5PCS	
② Base	④ 1PC SEAT
	
1PC	1PC
⑤ washer	⑦ MECHANISM
	
4PCS	
⑥ ALLEN KEY	
	
M8 1PC	1PC
⑧ SCREW M8*16	⑩ ARMREST
	
4PCS	2 pcs
⑨ SCREW m8*45	(11) COVER
	
4PCS	1PC



It is important to assemble all parts as the direction ARROWS point to. Make certain that all screws are fully tightened before using the chair, Each month check all screws and tighten those my loose.
WARNING:Do not stand on the chair for any purpose.