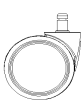

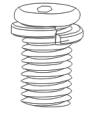
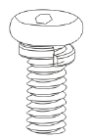
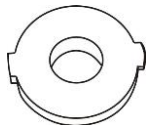
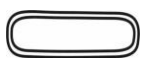
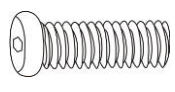



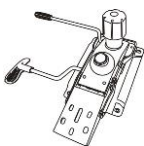
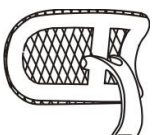
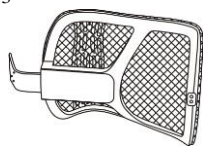



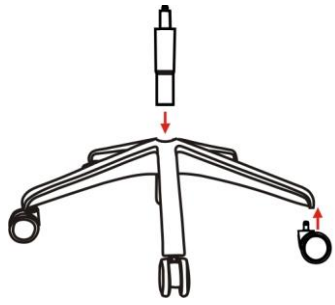
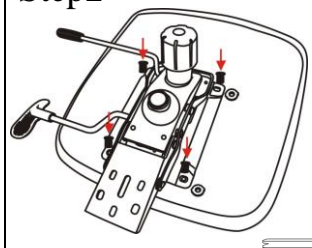
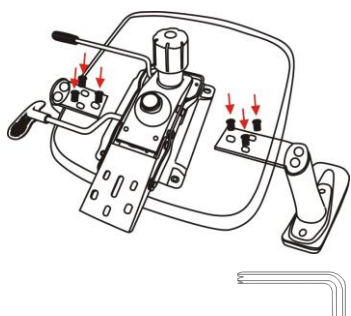
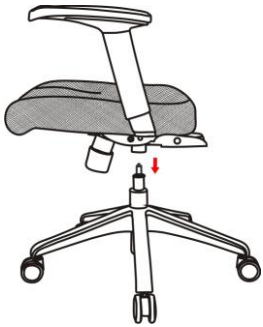
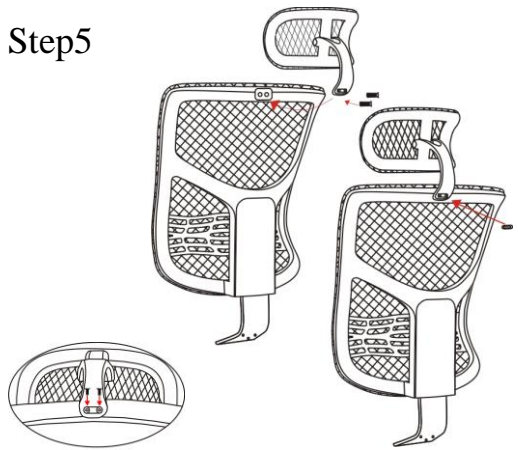

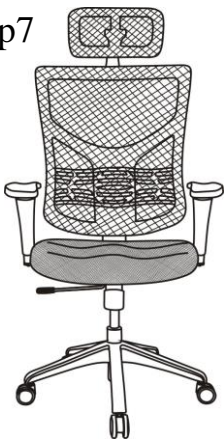
Usage Manual

Thank you for purchasing this Chair. You can assemble it easily when following this instruction. Let's go!

A、Component Parts:

1  Castor x 5	2  Gas lift x 1	3  Screws for armrest with washer M8*21x 4	4  Screws with Gasket 1/4*25 x11	5  Washer x4	6  cover x1	7  Screws for headrest support 1/4*18x3	8  Allen Wrench x 1
9.  Armrest x 2	10  Seat Cushion x 1	11  Mechanismx1	12  Headrestx1	13  Backrest x 1	14  Base x 1		

B、operating steps:

Step1 	Step2  Note: Place washers on the screw holes before attaching mechanism to seat cushion.	Step3 	Step4 
Step5 	Step6 	Step7 	

● Important Notice

- This product is suitable for indoor environments, no good to put outdoor.
- In order to prolong the working life, please avoid the conditions of high temperature; Humidity and much dirty.
- The PU armrest avoids using water to clean and sweat stained.
- The PU caster will be easy broken if often sliding on the humidity and dirty floor.
- Please keep the mesh material away from sharp metal, such as knife and key, also away from fire.
- It has Lubricating Oil in the machine, which will slow down its effect because of long time's using and work Frequency. Please contact with us directly for after sale service when you hear some static from the chair.
- Dry cloth to clean is ok, please don't use the wet one, otherwise, the metal part may oxide scaling and cause some difficult operation.