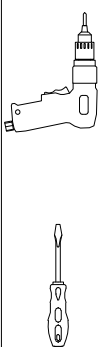
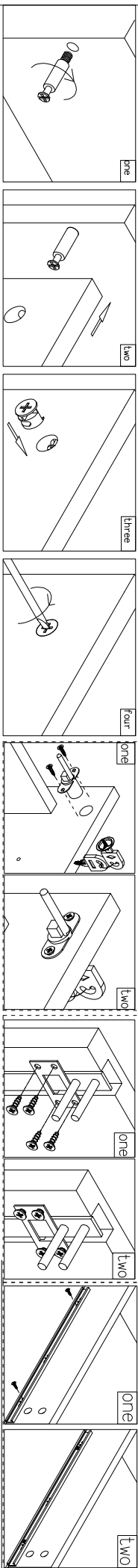


INSTALL DRAWING

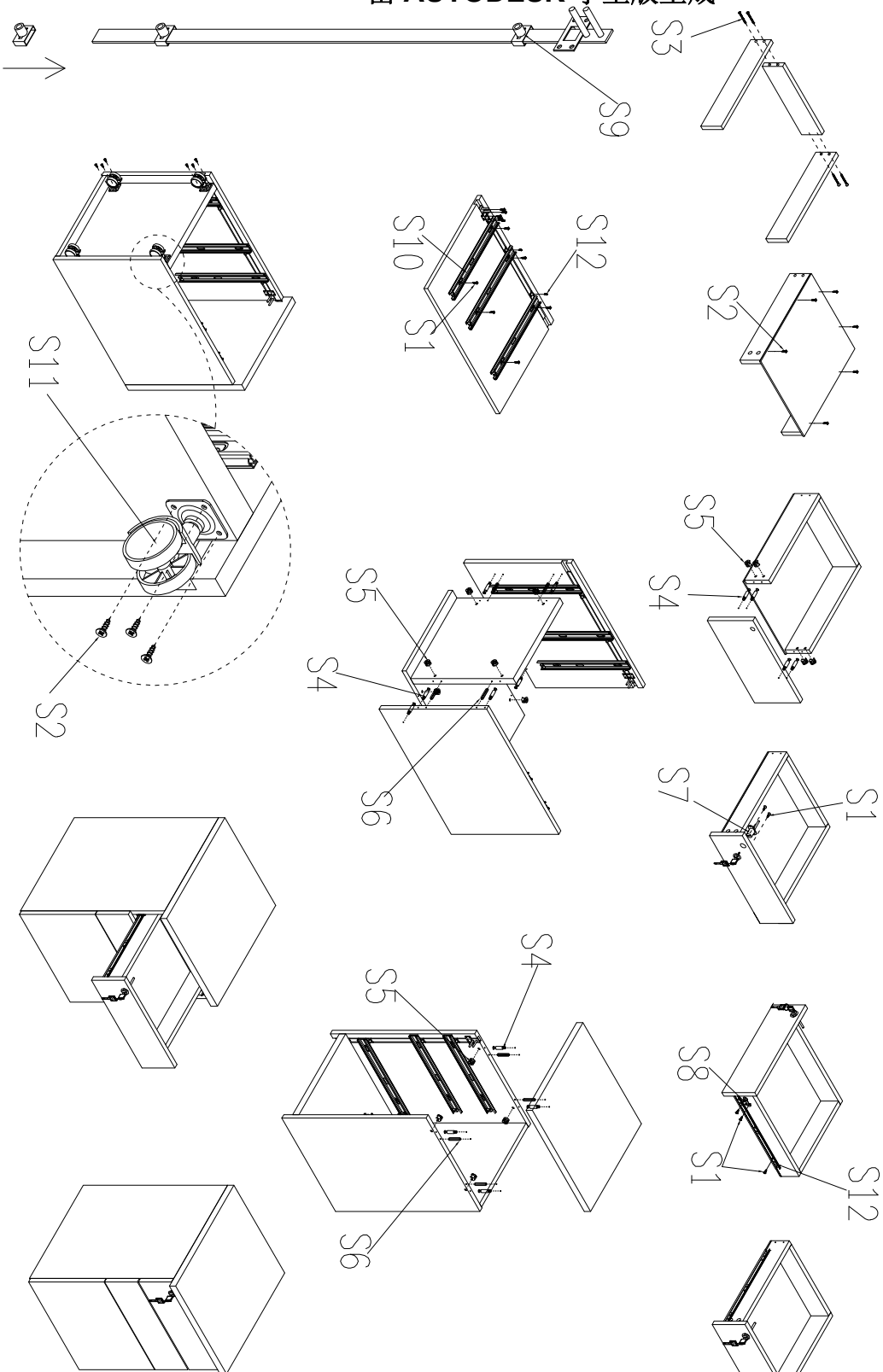
three in one sketch



Installation tool

Installs the hardware

No.	Accessories	No.	Accessories
S1	3.5x14	S8	Screwdriver
S2	4x16	S9	Screwdriver
S3	4x40	S10	Drawer slide
S4	4x16	S11	Drawer lock
S5	4x16	S12	4x16
S6	4x16		
S7	4x16		



Important: Follow steps on order. Requires 2 people to complete assembly