

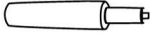

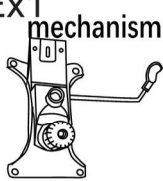

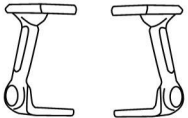
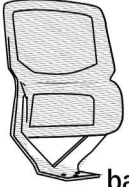





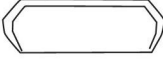
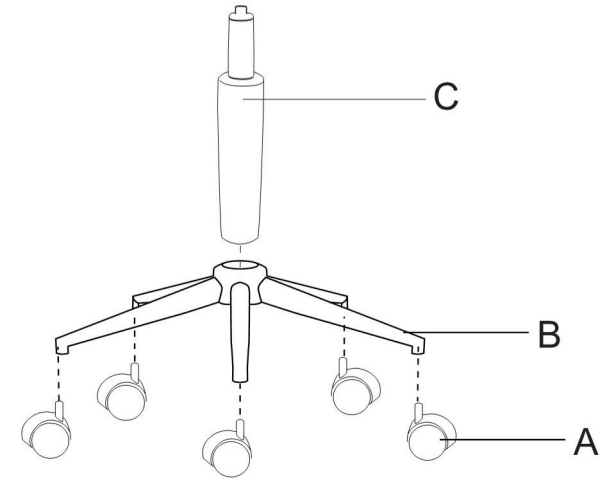


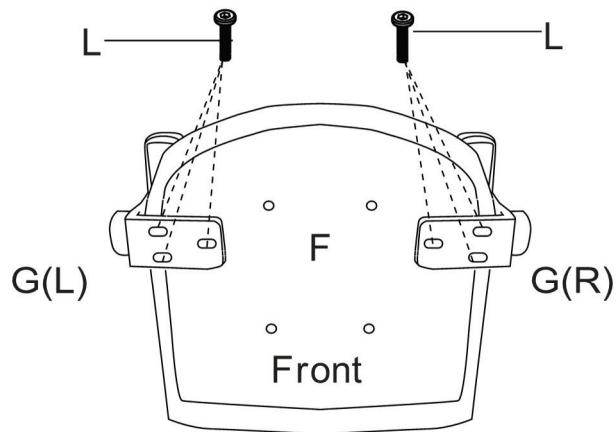
# ASSEMBLY INSTRUCTIONS

<p>Ax5</p>  <p>caster</p>	<p>Bx1</p>  <p>base</p>	<p>Cx1</p>  <p>gaslift</p>	<p>Dx1</p>  <p>allen key</p>	<p>Ex1</p>  <p>mechanism</p>
<p>Fx1</p>  <p>seat</p>	<p>Gx2</p>  <p>arms</p>	<p>Hx1</p>  <p>back</p>	<p>Ix1</p>  <p>headrest</p>	<p>Jx3</p>  <p>M8x20mm screws for back</p>
<p>Kx4</p>  <p>M6x20mm screws for mechanism</p>	<p>Lx6</p>  <p>M6x30mm screws for arms</p>	<p>Mx2</p>  <p>M6x25mm screws for headrest</p>	<p>Nx1</p>  <p>cap</p>	

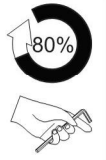
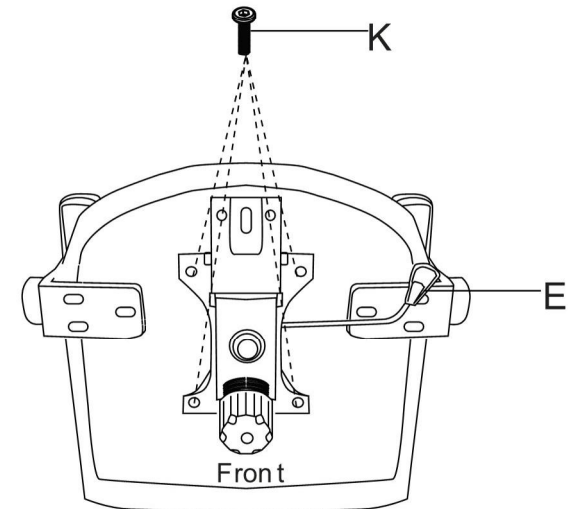
## STEP 1



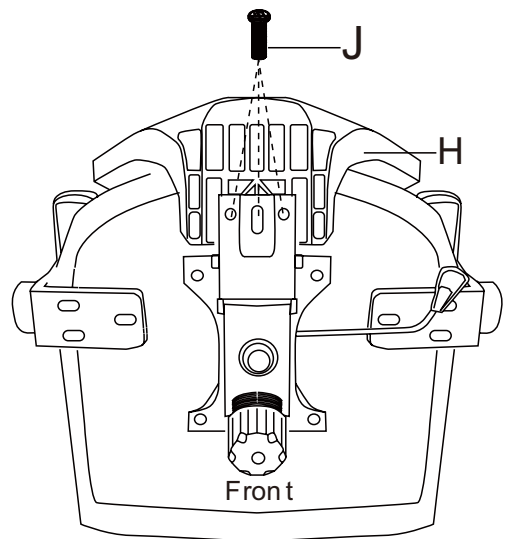
## STEP 2



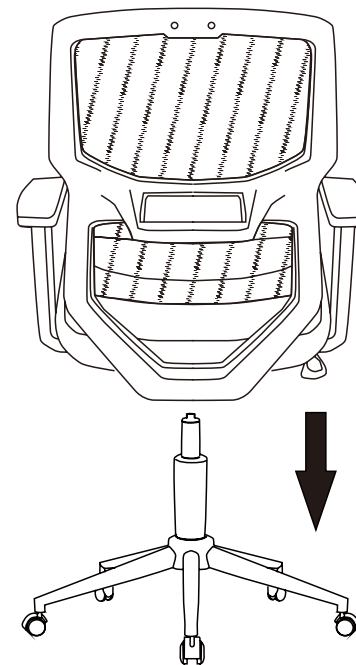
## STEP 3



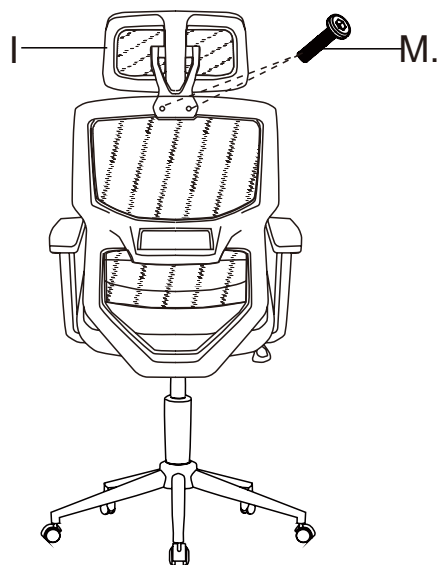
STEP 4



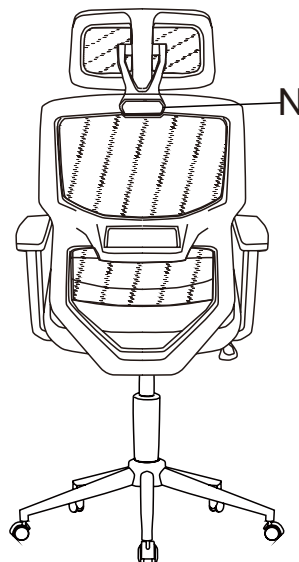
STEP 5



STEP 6



STEP 7



STEP 8

