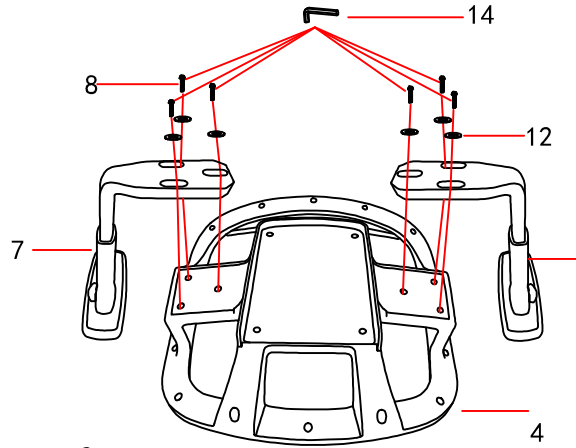
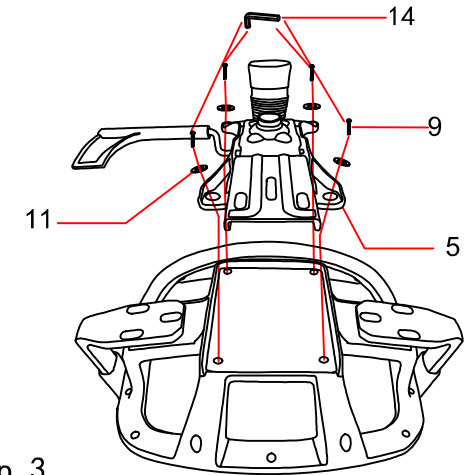


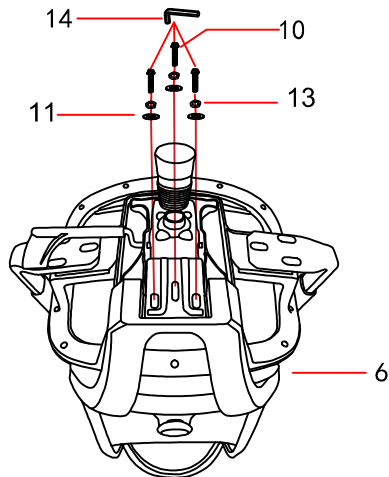
Step 1



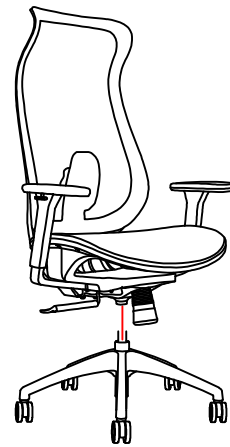
Step 2



Step 3



Step 4



Step 5



Step 6

6236A-HS	NO.	1	2	3	4	5	6	7	8	9	10	11	12	13	14	15	16	17	18	
	SKETCH																			
	SIZE								M6*30mm	M6*16mm	M8*25mm	M8*17mm	M6*15mm	M8*13mm	M5					
	QTY	1pcs	1pcs	5pcs	1pcs	1pcs	1pcs	2pcs	6pcs	4pcs	3pcs	7pcs	6pcs	3pcs	1pcs					